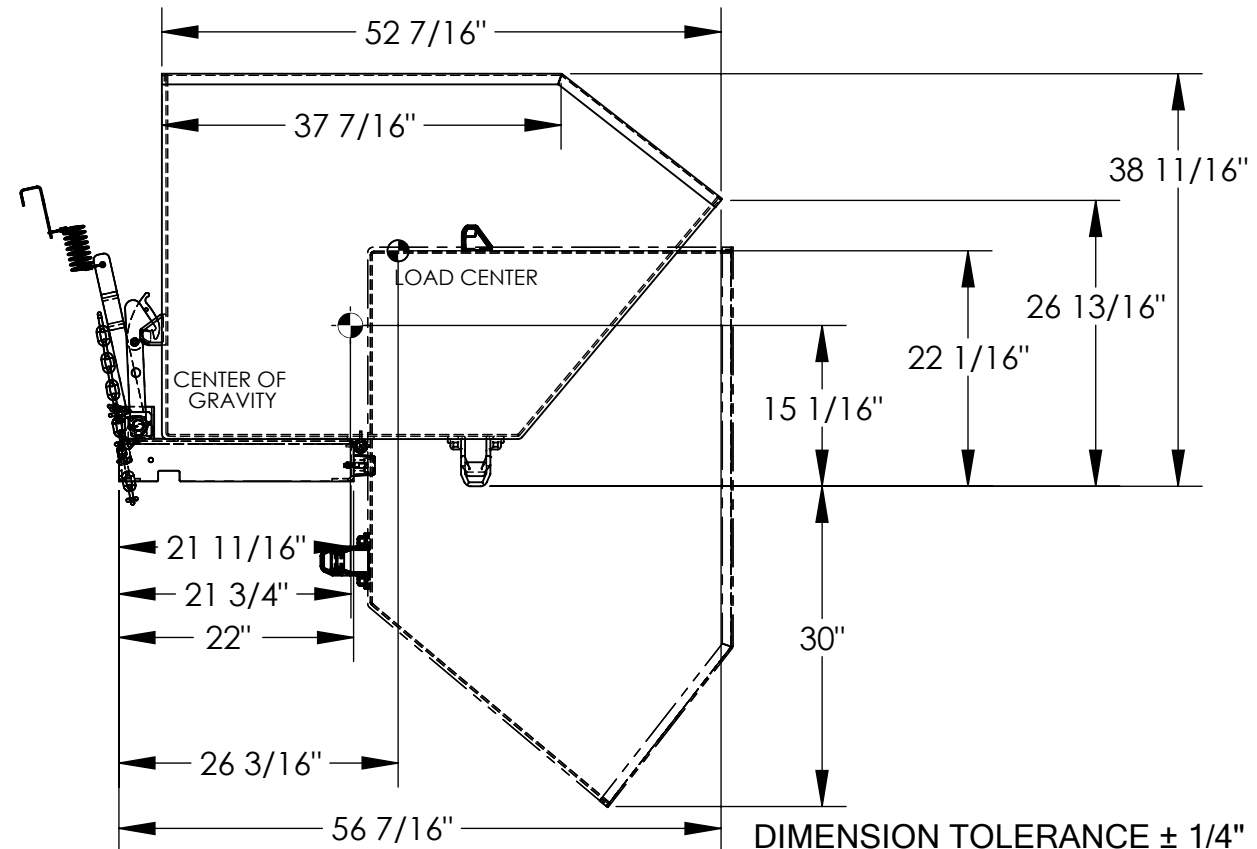
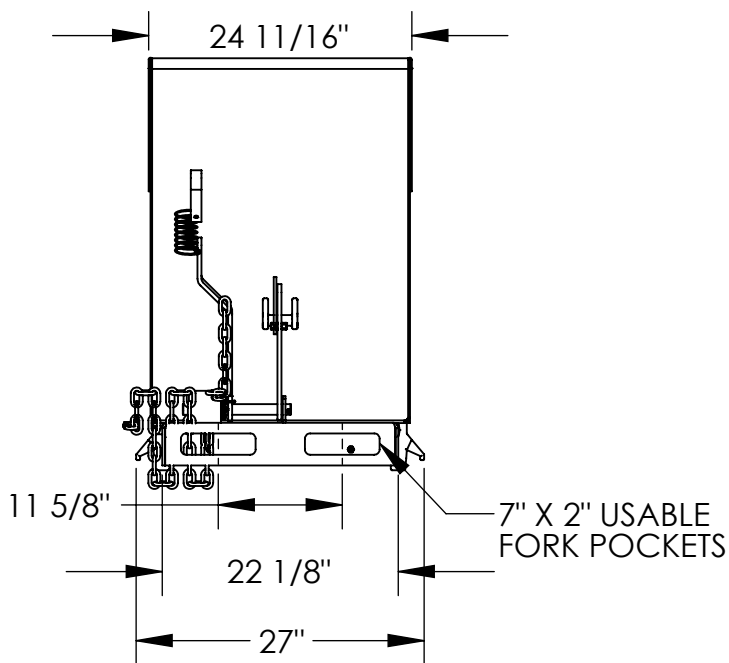


# LOW PROFILE 90° SELF DUMPING HOPPER - H-75-HD

APPROX WEIGHT: 349.57 lbs.  
DOES NOT INCLUDE WEIGHT OF POWER OR PACKAGING!!!

\*\*\* ANY ADDITIONS, DELETIONS, OR OMISSIONS MUST BE CORRECTED ON THIS DRAWING AS THIS DRAWING WILL BE CONSIDERED ALL INCLUSIVE \*\*\*

ALL GRAPHICS PROVIDED ARE FOR REFERENCE ONLY. IF CERTAIN DIMENSIONS ARE CRITICAL PLEASE VERIFY THOSE DIMENSIONS WITH YOUR SALESPERSON



NEVER EXCEED LOAD CENTER RATING PER FORK TRUCK MANUFACTURER'S GUIDELINES. DO NOT USE THIS FORK TRUCK ATTACHMENT IF LOAD WILL EXCEED FORK TRUCK MANUFACTURER'S LOAD CENTER RATING.

APPROX. WEIGHT/ LOST LOAD=349.57 LBS.  
EFFECTIVE THICKNESS= FORK LENGTH MINUS 21 3/4"

**\*\* ADDITION OF CASTERS MAY CHANGE WEIGHT CAPACITY BASED ON CASTER RATING**  
**STANDARD FEATURES**

- MODEL NUMBER: H-75-HD
- OVERALL WIDTH: 27"
- OVERALL LENGTH: 56 7/16"
- OVERALL HEIGHT: 22 1/16"
- CAPACITY: 6,000 LBS.
- VOLUME: 3/4 CU. YRD.
- TOUGH BAKED IN POWDER COATED BLUE FINISH

**SPECIAL FEATURES**  
NONE

**APPROVAL**

I, THE UNDERSIGNED, AGREE THAT THE PRODUCT AS REPRESENTED SATISFIES DESIGN AND DIMENSION REQUIREMENTS. I ALSO ACKNOWLEDGE MY DUTY TO CONFIRM PRODUCT AND INSTALLATION COMPLIANCE WITH ALL APPLICABLE FEDERAL, STATE AND LOCAL REGULATIONS AND STANDARDS.  
**UNITS REQUIRING APPROVAL DRAWINGS OR MODIFIED ARE NON-RETURNABLE**  
[ ] As drawn [ ] As marked

Signed: \_\_\_\_\_ Date: \_\_\_\_\_  
Printed Name: \_\_\_\_\_  
**LEAD TIME WILL START UPON RECEIPT OF SIGNED APPROVAL DRAWING**

FOR INTERNAL USE ONLY PROJECT SIGN OFF	
SALES	
ENG.	
FAB.	
POWER	

DISTRIBUTOR'S NAME: <b>VESTIL MANUFACTURING</b>		P.O.# X
DRAWN BY: JWW		W.O.# X
DATE: 9/29/2020	SALES: X	FILE NAME: 37-007-152
REFERENCE: X	SCALE: 1:18	
QUOTED LEAD TIME: X	QUOTE # X	